

Rottfella Mounting plate

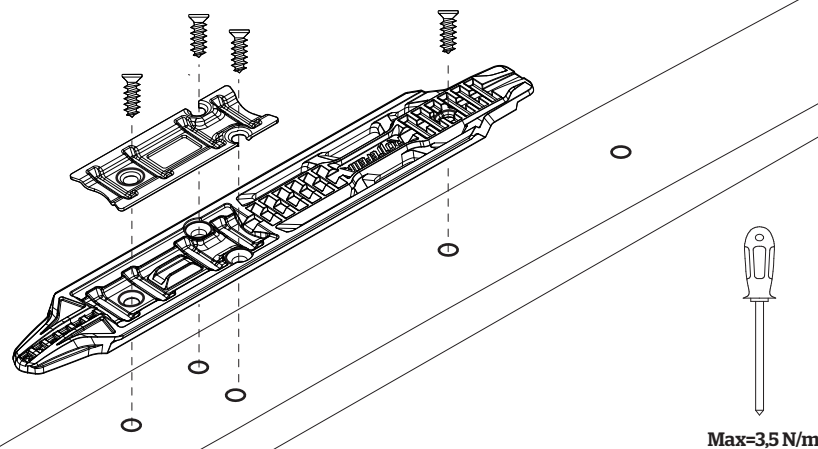
Compatible with all NIS bindings:

Xcelerator ProSkate+
Xcelerator ProSkate/ ProClassic
Xcelerator 2.0 Skate/ Classic
Xcelerator Junior Skate/ Classic
Rottfella Performance Skate/ Classic
Rottfella Touring Auto

For:

Pre drilled Salomon skis
Pre drilled Atomic skis

- 1 Secure correct positioning of the mounting plate by screwing in all the screws halfway. Then tighten.



- 2 Connect the rear piece to the front. Tighten the screw carefully by hand.

