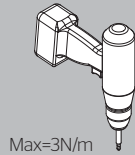
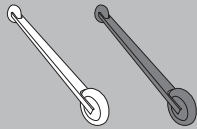
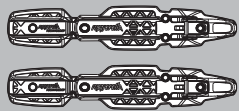


# ROTTEFELLA®

## Rottefella Rollerski bindings



For Roller ski: Use Rottefella Rollerski binding with the included screws. Only suitable for roller ski purpose. Tighten screws regularly for safety. For longer lasting bindings, keep them free of dirt and mud. A damaged or cracked roller ski binding should never be used.



Max=3N/m

Rottefella Rollerski Skate/  
Rottefella Rollerski Classic

Fiberglass, wood,  
carbon.

Ø 36 x 155

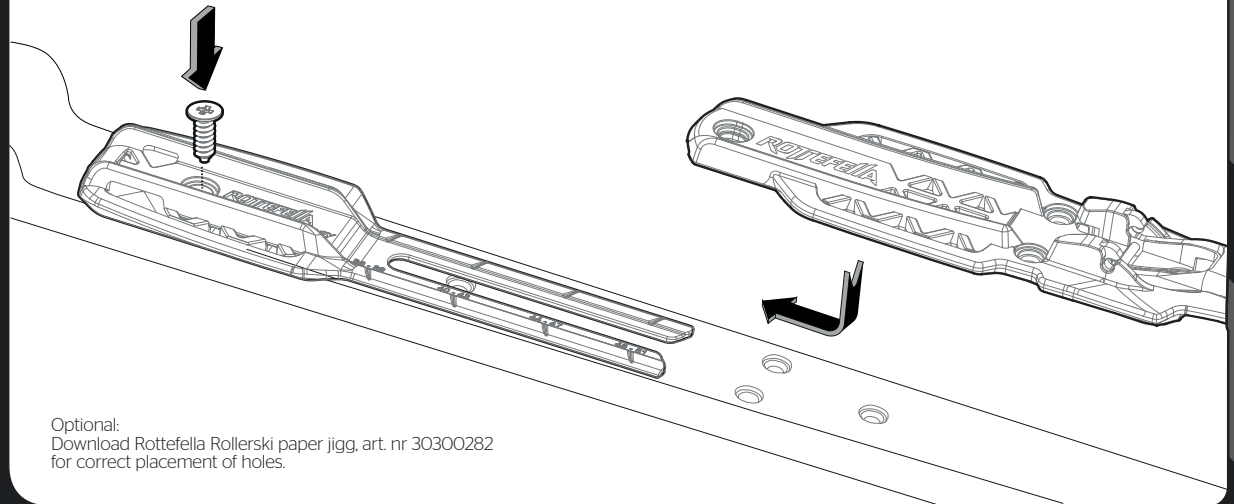
63 x 19

Aluminium  
and steel.

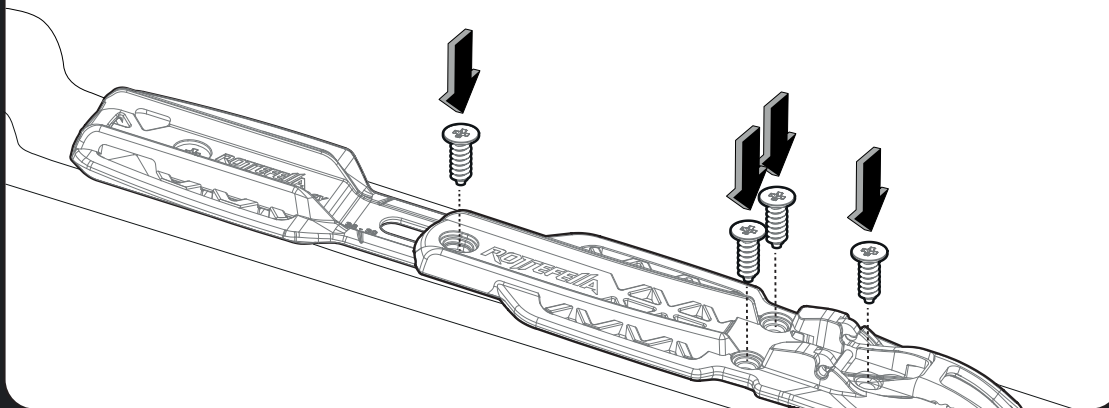
Ø 41 x 95

63 x 19

- 1 Drill holes in the roller ski by using the Rottefella Rollerski Jigg. Use the screws included to secure the heel plate before sliding the house into place matching shoe size.



- 2 Secure binding with the included screws. Tighten carefully.



- 3 Slide the flex unit until it clicks in place.

