

ROTFEFELLA®

NIS bindings



Move your binding



For Roller ski: Use Xcelerator Roller ski binding with safety screws only in combination with Xcelerator Mounting Plate!

Versions:

Xcelerator Titan
Xcelerator 2.0
Xcelerator Woman
Xcelerator Junior

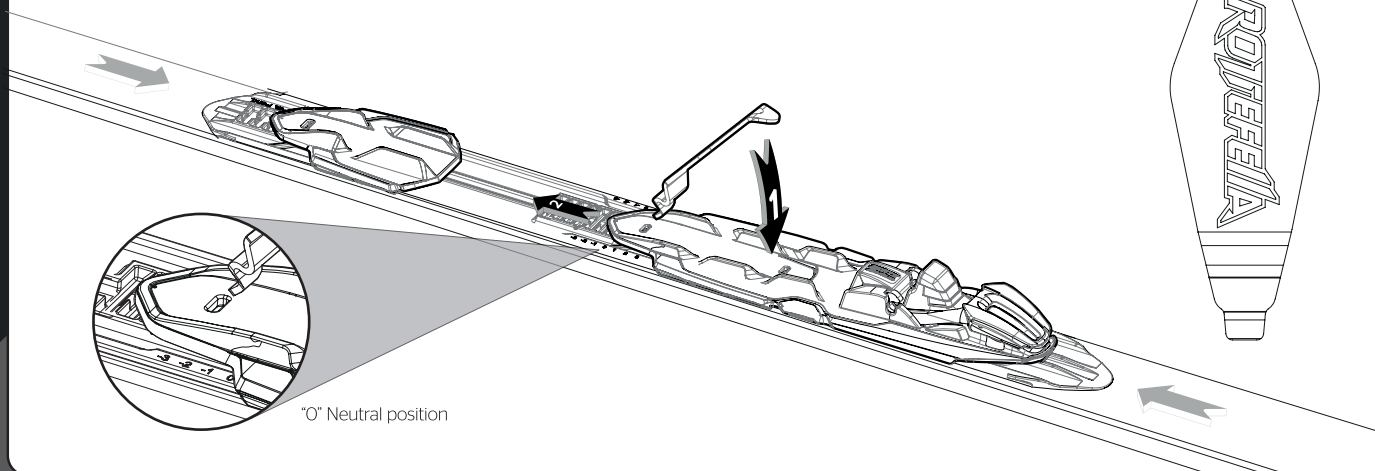
Rottefella Performance
Rottefella Touring Auto
Rottefella Basic NIS

Compatible Mountingplates:

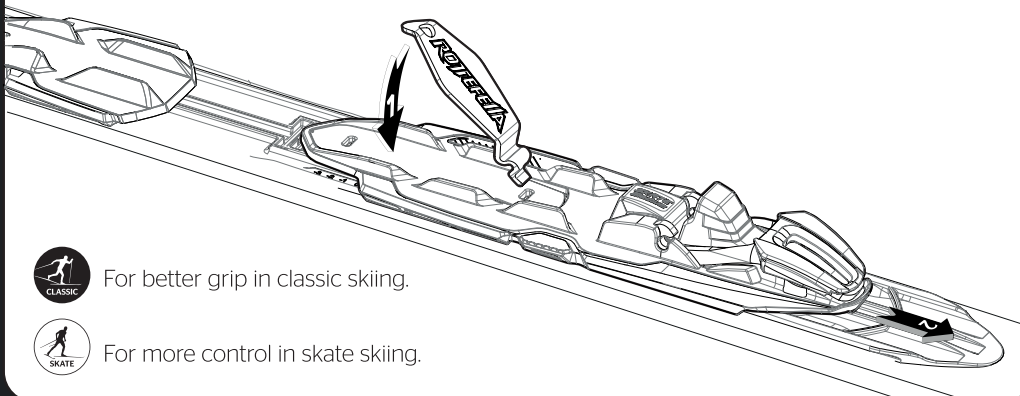
Rottefella NIS 7 Click Plate
Rottefella NIS 3 Click Plate
Rottefella NIS 1 Click Plate
Xcelerator Mounting Plate

Rottefella Touring plate

- 1 Slide the binding onto the NIS plate from the top until it stops. Use the NIS Key, by placing the tip into the slott, push down (1) and backwards (2) to neutral position "0". Slide the heel from rear, adjust the heel to match shoe size with the NIS Key.



- 2 Move binding **forward**: Place tip into slot, push down (1) and forwards (2) to preferred position.

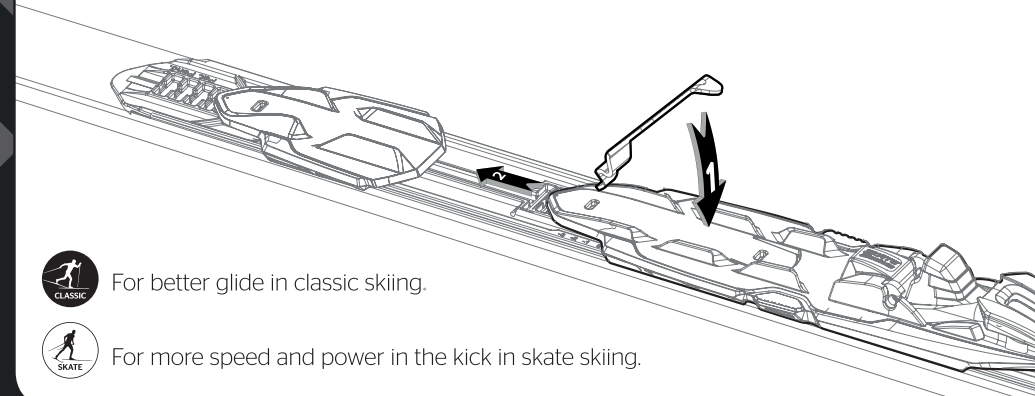


For better grip in classic skiing.



For more control in skate skiing.

- 3 Move binding **backwards**: Place tip into slot, push down (1) and backwards (2) to preferred position.



For better glide in classic skiing.



For more speed and power in the kick in skate skiing.

Powered by you. Technology by us.

Version: 002 Art. nr: 30400238