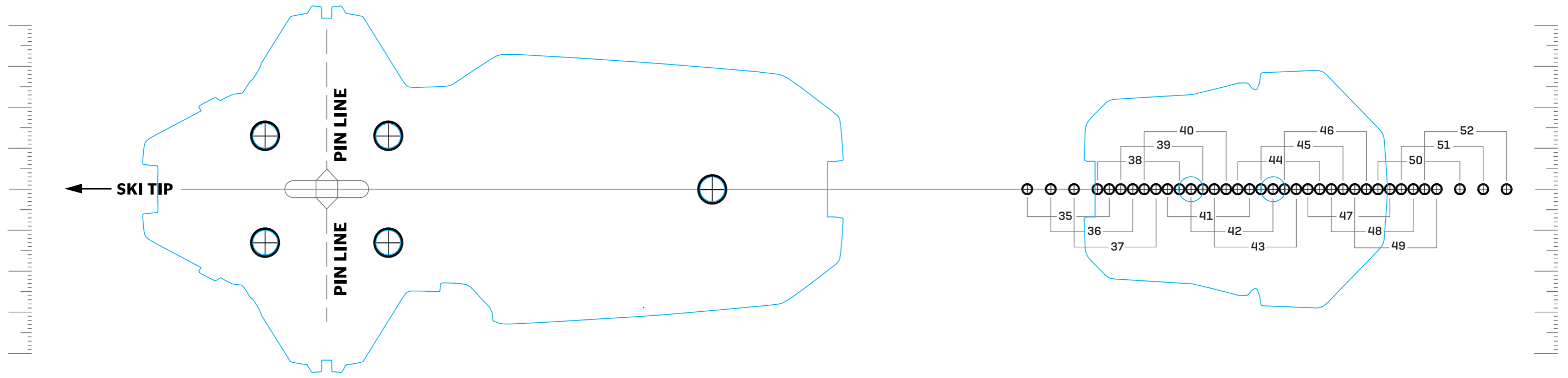
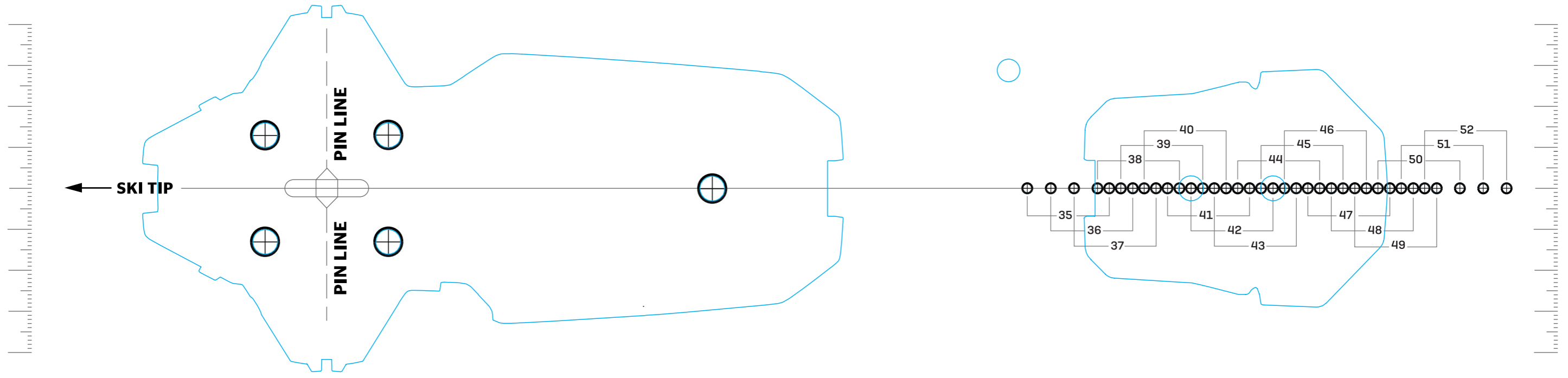
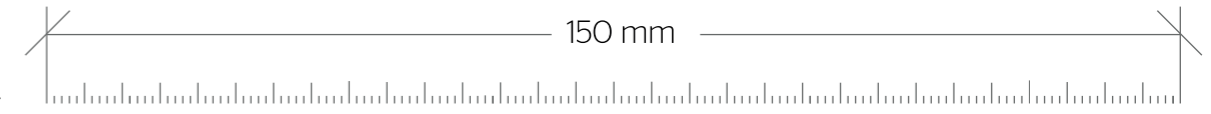


Use the measurements to the right to check that your print is correctly scaled.



Tightening torque: 3 Nm	Name of product: Rottefella Xplore Offtrack	Scale: 1:1	D				
Drill bit (screw length = 16.3 mm): 3.6 x 9 mm Drill bit (screw length = 21.8 mm): 3.6 x 15.5 mm	Artikkel nr:	Date og design: 13.04.2021	C				
Tighten manually	ROTTEFELLA		B				
			A				
	Rev.	Description	Date	Salg/ID	C		